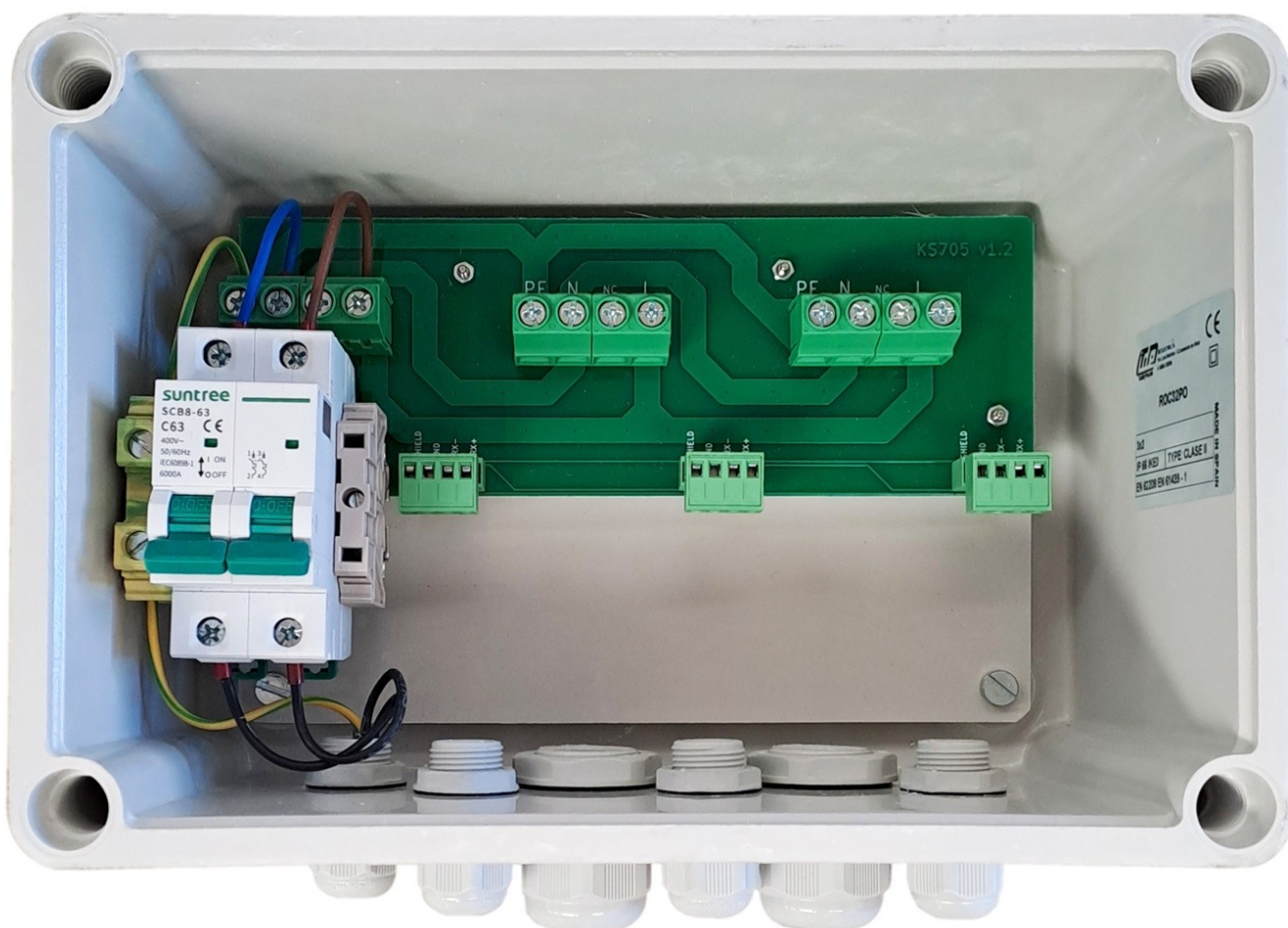




TKAC01I





DATA SHEET

rev. 1.3
28 June 2024

INDEX


1 SAFETY.....	3
2 INTRODUCTION.....	4
3 HARDWARE CHARACTERISTICS.....	4
3.1 Electric Characteristics.....	4
3.2 Mechanics Characteristics.....	4
3.3 Connections.....	5
3.4 RS485 Communication cable.....	7
4 GENERAL NOTES.....	7
4.1 Fixing.....	7
4.2 Cables.....	8
5 CONTACTS.....	9

Attention


*The information contained in this document may change without notice.
Therefore, please check our website (www.kernelgroup.it) regularly
and always download the latest version available.*

1 SAFETY





Safety : General Conditions

	DANGER	<ul style="list-style-type: none"> - This product is therefore designed to operate with direct current voltage values up to 230 VAC. This voltage value is potentially fatal. Voltage values between 24 VDC and 230 VAC are therefore present on this product.
---	---------------	---

Safety : Installation and replacement precautions

	DANGER	<ul style="list-style-type: none"> - The installation and / or replacement of this product must take place in absolute safety, therefore it is necessary to proceed with the installation and / or replacement of this product which is housed inside the field panel after disconnecting the power and dangerous voltages from solar panels. - In any case, any intervention involving the handling of the TK must be carried out by skilled and trained technicians equipped with insulation gloves designed for voltage values up to 230 VAC and after disconnecting any voltage and current from the solar panels.
---	---------------	--

Important Safety Instructions

	DANGER	<ul style="list-style-type: none"> - Contact with wiring terminals inside the device can cause death by electric shock! - Before to operate inside cards with tester, or with other measurement equipment, it is mandatory TO OPEN fuses and other components that can bring high level voltage inside cards.
	WARNING	<ul style="list-style-type: none"> - Please check all input and output wire terminals in case of high DC voltage and make sure there is no voltage before electrical connection to avoid electric shock! - Do not touch the live parts of the input and output sides to avoid electric shock when checking or maintaining the device. - All installation and wiring connections must be made by qualified technical personnel only.
	CAUTION	<ul style="list-style-type: none"> - All wiring and operation must comply with the requirements of the relevant local standards of the device. - Check the device and make sure there are no problems with the installation before putting it into operation! - Connect the wires to the positive and negative marked positions of the device to avoid the risk of short circuit, ensure personal safety and keep the device in normal operation.
	IMPORTANT	<p style="text-align: center;">Reference to current standards</p> <p>For any other consideration, safety precaution, it is absolutely necessary, before carrying out any installation and / or replacement of the TK, to refer to the regulations in force regarding the construction of combiner boxes.</p>

2 INTRODUCTION

Accessory (optional) to simplify cable wiring: junction box to be installed at the base of the motor unit support pole.

Each TKAC01I has the following sections :

IN = INPUT cables (Both RS_485 and 230 Vac) coming from the previous TKAC01I

OUT = OUTPUT cables (Both RS_485 and 230 Vac) to the next TKAC01I

DRIFT = DERIVATION cables (Both RS_485 and 230 Vac) towards a TRACKER

3 HARDWARE CHARACTERISTICS

This chapter describes the hardware characteristics of TKAC01I :

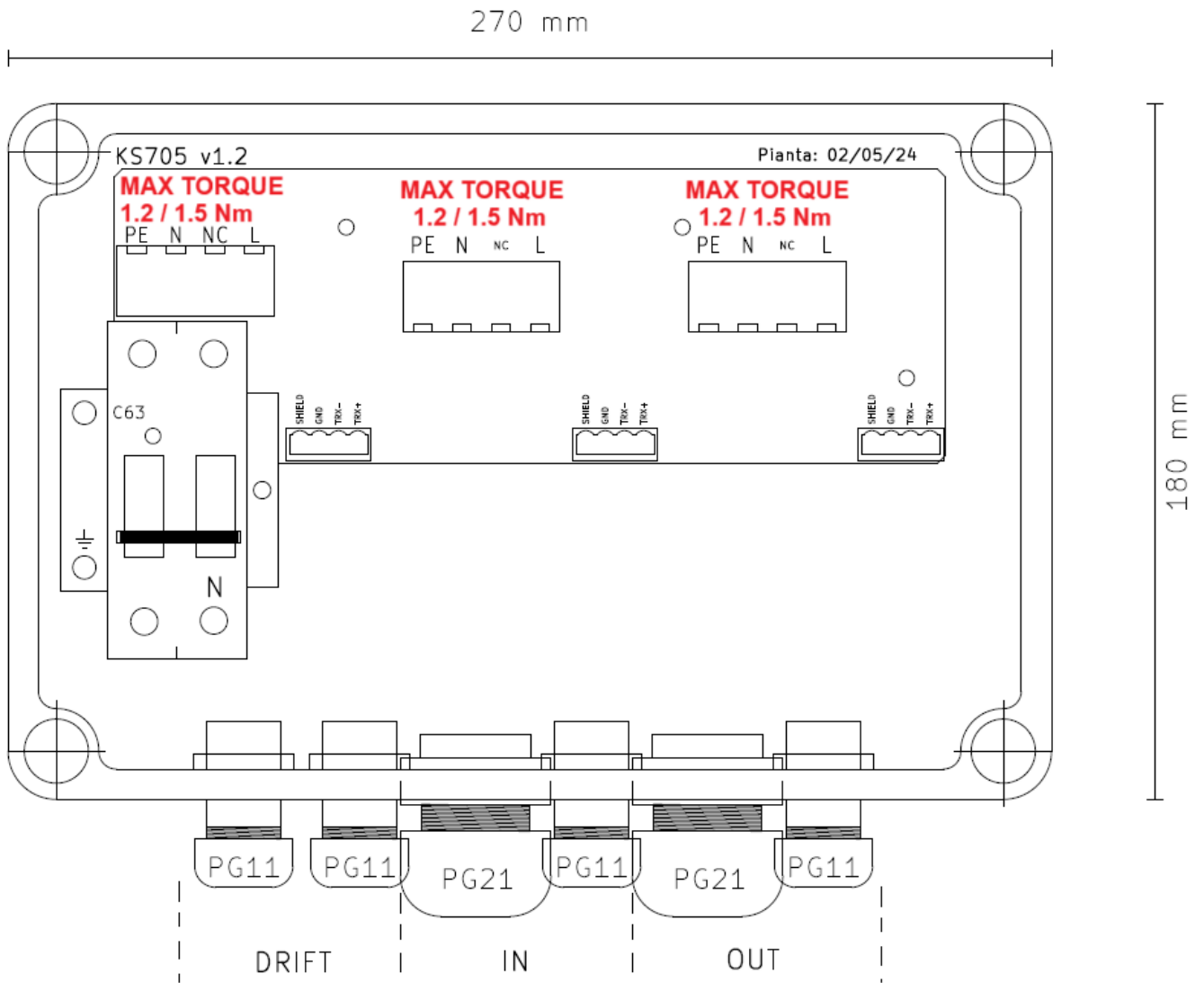
3.1 Electric Characteristics

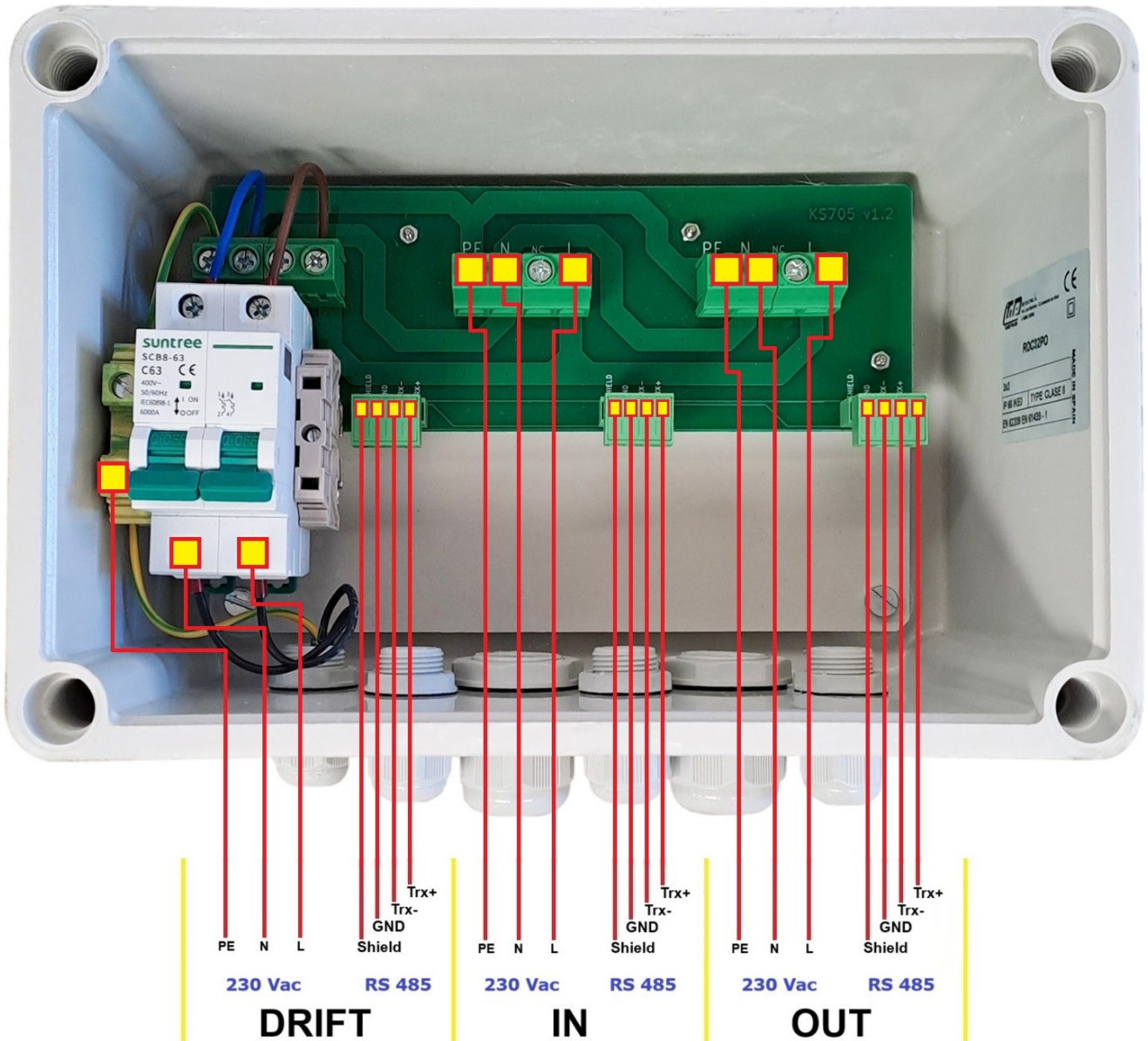
ELECTRIC CHARACTERISTICS	
Power supply voltage	230 Vac
Maximum Permitted Power Supply	230 Vac
Microprocessor	x
Communication	RS_485
Nominal Current	50 A
MAX Current	66 A

3.2 Mechanics Characteristics

MECHANICS CHARACTERISTICS	
Temperature Range	From -10 ^C to +70^C
Humidity Range	From 10 % to 90 % (non-condensing)
Operating Atmosphere	Without corrosive gas
Noise Immunity	According to rules in force
Box Protection degree	IP66
Box Weight	n.d.

3.3 Connections





	IMPORTANT	MAX TORQUE = 1.2 / 1.5 Nm
--	------------------	----------------------------------

3.4 RS485 Communication cable

Everything about the RS485 connection, must meet certain features :

Maximum cable length

it must be no longer than 1,2 Km (it means the entire line length, and not the connection between two nodes)

Technical characteristics of the cable to use

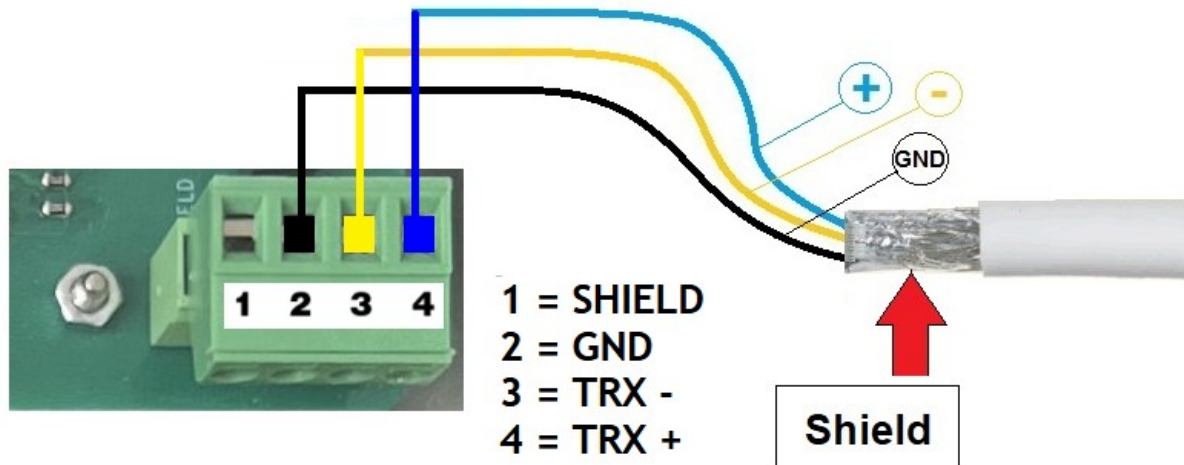
It must be a three-wire cable 3x0.50mm / 3x0.75mm

How to do the RS485 connection

The RS 485 connection must be a three-wire connection (TX+, TX- and GND) with shielded cable.

The cable shield can be left floating, or it can be connected to the "SHIELD" pin of the RS_485 connectors

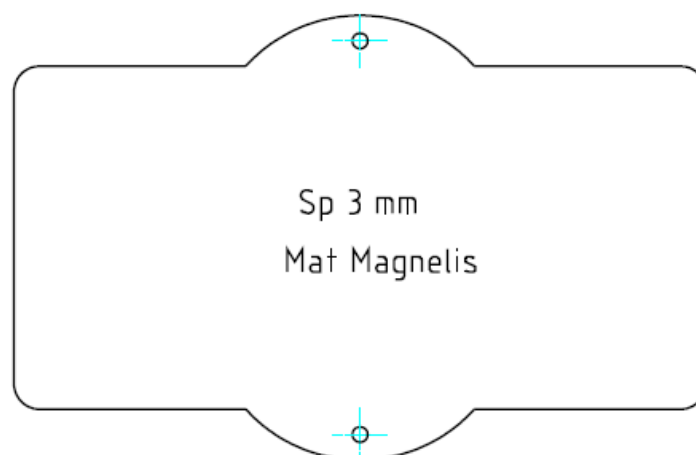
THIS CHOICE IS AT THE CUSTOMER'S DISCRETION.



4 GENERAL NOTES

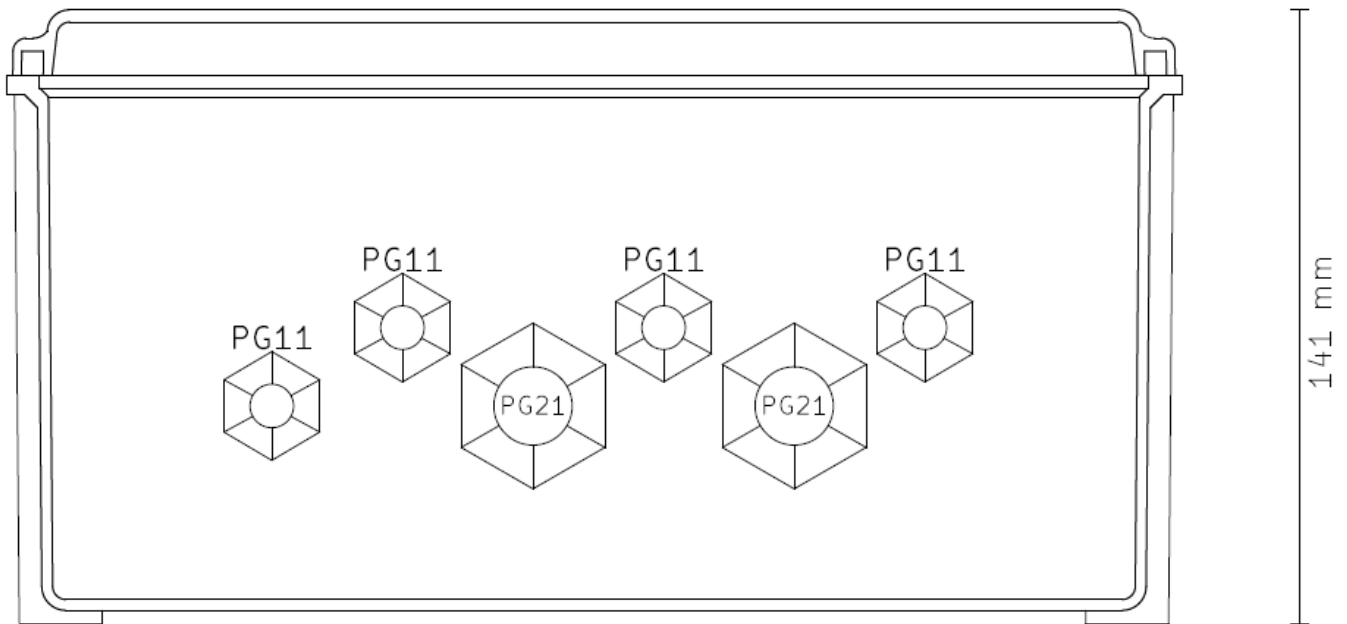
4.1 Fixing

The TKAC011 will be supplied with a metal fixing plate, to facilitate assembly :



4.2 Cables

Recommended cables :



OUTSIDE diameter of the CABLES		
PG11	Ø 5-10 mm	Min 5 - Max 10 mm
PG21	Ø 13-18 mm	Min 13 - Max 18 mm



5 CONTACTS

GENERAL

Tel: 059 469978
website: www.kernelgroup.it
e-mail: info@kernelgroup.it

COMMERCIAL

Sig.ra Linda Mammi
Tel: 059 469978 Int. 207
e-mail: sales@kernelgroup.it
Skype: mammi.kernel

ADMINISTRATION

Sig.ra Paola Morandi
Tel: 059 469978 Int. 201
e-mail: amministrazione@kernelgroup.it
Skype: morandi.kernel

PURCHASING and PRODUCTION

Sig. Stefano Catuogno
Tel: 059 469978 Int. 204
e-mail: produzione@kernelgroup.it
Skype: catuogno.kernel

TECHNICAL OFFICE

Sig. Alessandro Muratori
Tel: 059 469978 Int. 205
e-mail: alessandro.muratori@kernelgroup.it
Skype: muratori.kernel

Support
Tel: 059 469978 Int. 209
e-mail: support@kernelgroup.it
Skype: support.kernel

Sig. Morisi Luca
e-mail: luca.morisi@kernelgroup.it
Skype: morisi.kernel

Kernel Sistemi
Kernel Sistemi s.r.l. , via Vignolese n. 1138
41126 Modena - ITALY
Tel. 059 469 978 - Fax 059 468 874
www.kernelgroup.it